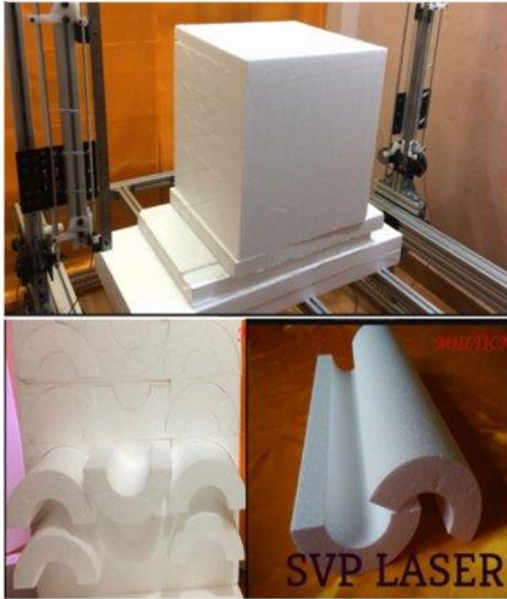


MULTICNC™ EPS DESIGN CUTTING MACHINE

EPS pipe sections are widely used as insulation material in buildings and factories and need to be mass produced in large numbers. An 8-storey centralised air-conditioned mall building needs around 3000 meters of pipe insulations of various sizes. A CNC automatic pipe section cutting machine can give significant benefits in terms of reduced labour, reduced wastage, Increased productivity, Increased Quality, Short turnaround time etc. resulting in significant Return on Investments.

MULTICNC EPS PIPE-SECTION CUTTING MACHINE



MANUAL PIPE-SECTION CUTTING MACHINE



VS

MANUAL PIPE SECTION CUTTING:

Manual method of pipe cutting needs a slicer machine, a manually operated pipe-cutting machine and several skilled operators and causes operator fatigue and inconsistency.

Slicer mc: Operations: Slice X-direction (Length), Slice Y-direction (Width): Operators needed: 2 (to lift the heavy block and load to the slicing table, slice thickness string setting etc.). Time taken: ~0.5 min/pipe)

Manual pipe cutting machine: Operations Involved: Adjust strings for correct radius, Load slices correctly aligned to table, hold sheet down, operate manual machine lever, Flip sheet, reload slices correctly aligned to table, hold sheet down, operate manual machine lever to cut 2nd nested pipe etc. Operators needed: 2 skilled operators. Time taken: 1 minute/pipe)

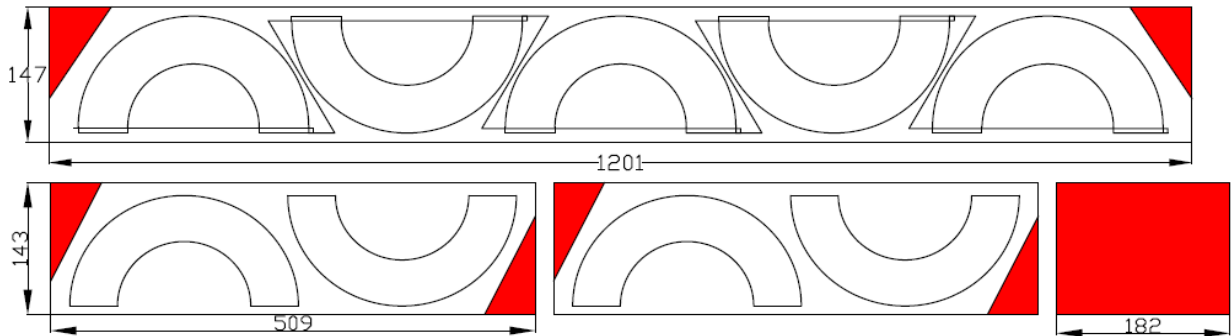
MULTICNC PIPE SECTION CUTTING:

CNC machine: Operations involved: Adjust distance between multiple strings, load full block, press start button, Collect 30 pipes after 15 minutes. Load new block and continue. Operators needed: 1 skilled operator. Machine time per pipe: 0.5 minutes. Operator time per pipe: 0.1 minute per pipe). No need for manual slicing, pipe cutting, flipping etc.

SAVINGS IN OPERATOR WAGES:

2 operators per month @ 10K per month → 20K savings per month → 2.4 Lakhs savings per year → 12 Lakhs savings in 5 years ! Also production won't stop if operator falls sick etc. Running extra shift to meet production demand won't cost extra.

SAVINGS FROM MATERIAL WASTAGE:



In above example: OD 240mm, ID: 140mm pipe: manual method: get 4 half-pipes in 4ft (1200mm) width block. CNC method: get 5 half-pipes! 20% higher production.

OTHER BENEFITS OF CNC PIPE SECTION CUTTING MACHINE

- Can cut L-joints, shiplap joints etc. with click of a button, no extra settings, efforts needed.
- Nested Pipe sectors cutting for large OD pipes. (less than 180 deg segments)
- CNC machine can be used for several other custom sizes, shapes cutting for packing, insulation, Signs, decorations etc. etc.

In summary, CNC computerised automatic cutting machine gives significant benefits in terms of reduced labour, reduced wastage, Increased productivity, Increased Quality, Short turnaround time, advanced design cutting options etc. resulting in significant Return on Investments.

UPGRADE now to MULTICNC Hotwire EPS design cutting machine and reap the benefits and UPGRADE your business to the next level.

